

User Manual for 52mm LCD GPS Speedometer

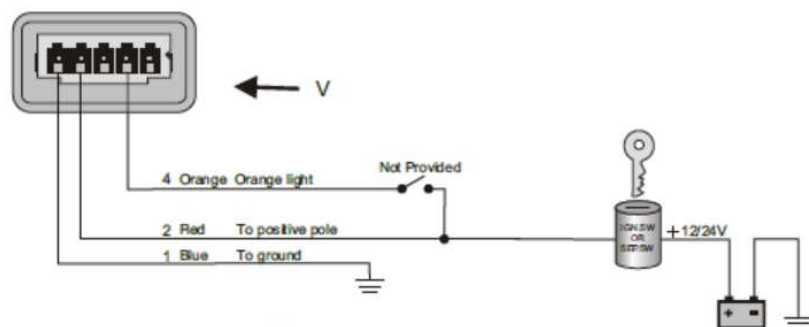
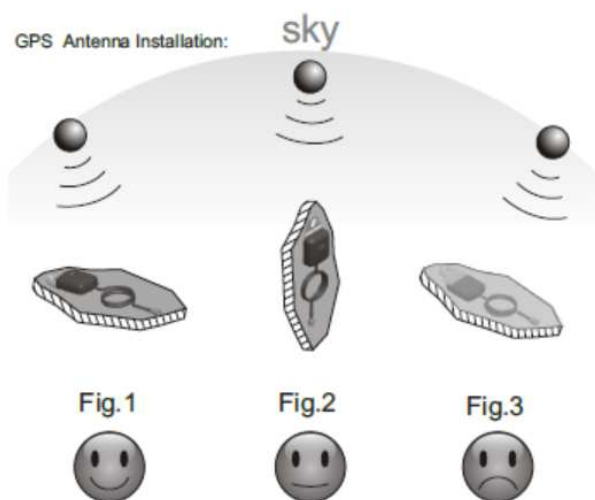
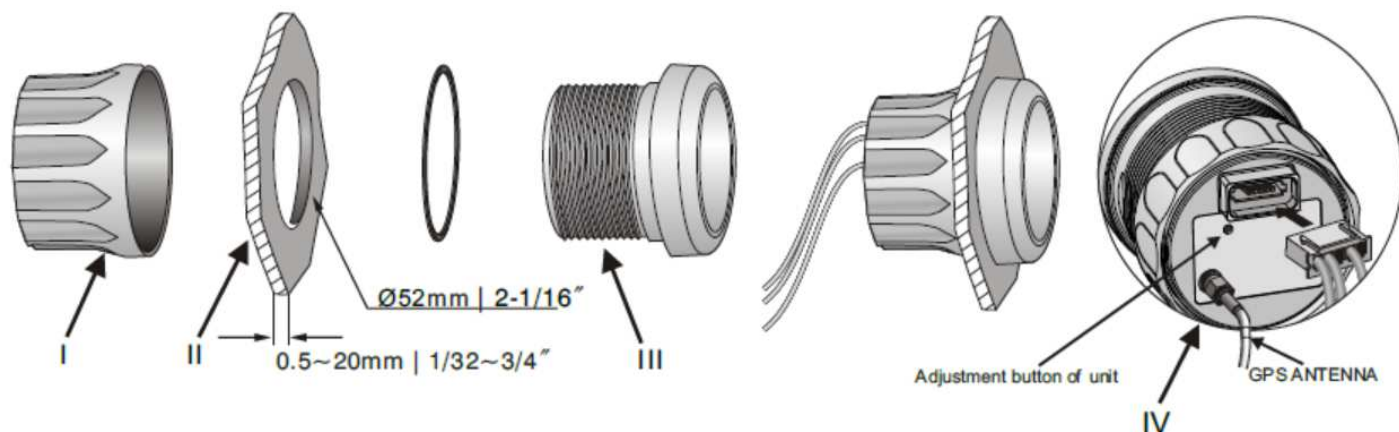


Fig.4



INSTALLATION GUIDE

1. Cut an $\Phi 52\text{mm}$ ($2\text{-}1/16''$) hole in the panel (II) allow a clearance of 55mm ($2\text{ }3/16''$). behind the panel.
2. Remove fastening ring (I), insert gauge from front. Tighten gauge (III) using fastening ring (I)
3. Insert the wire harness (IV) firmly in the gauge (III)
4. Connect cables according to the diagram(V).
5. Securely fasten the GPS antenna , preferably outdoors (or inside front windscreen) so that it has a clear view of the sky to pick up satellite signals. Connect the antenna cable to socket on the gauge. Do not cut cable.
6. After turning power on, allow the gauge to sample satellite signal for 1 minute. The gauge will show speed in knots (SOG) and Compass (COG) only when the boat is moving. While boat is lying still all data is frozen, so the compass cannot be used as a reference until the boat is moving, when the signal is recovered.
7. All data is for reference only and should not be trusted as sole navigation source.
8. Setting of gauge and unit adjustment:

User Manual for 52mm LCD GPS Speedometer

- a. The gauge displays GPS LOADING..... when it is sampling the signal, it enters the normal display mode in about 1 minute(FIG.4);
- b. After entering the normal display mode, press the button so that the speed unit switches from Knots to Km/h and to MPH, unit of the mileage of a single time changes accordingly. The final choice will be saved automatically.
- c. This Speedo has the function of mileage accumulation (Maximum 99999 Km), and data can be saved even the gauge is power down.
- d. Ensure the GPS antenna has a clear view of the sky to pick up satellite signals, preferably like FIG.1, which is the best way of fastening the GPS antenna. FIG.2 is not recommended, FIG.3 mustn't be used because it almost can not collect the GPS signal.

Automatic diagnose:

- a. When GPS LOADING is displayed on the screen while the gauge is properly functioning, it indicates a temporary lost of signal or weak signal. Please check if any coverage of GPS signal and the correct connection of the GPS antenna.
- b. When GPS ERROR is displayed on the screen, it indicates a short circuit of GPS antenna or function failure of the GPS module.